

EB-45 Direct SharkBite® with Slip Feature Pressure Regulating Valve

DESCRIPTION

The EB-45 Direct SharkBite with Slip Feature (EB45-SDSB) is a lead free* half-cartridge based pressure reducing and regulating valve with a bronze body. The valve construction is similar to a traditional regulator in that it retains a separate spring chamber and adjusting screw, but offers the simplicity and maintenance benefits of a cartridge based valve.

The EB45-SDSB features integral SharkBite connections in 1/2" and 3/4" sizes along with an added slip feature for easy installation. Connect the SharkBite pressure regulating valve to copper tubing and CTS CPVC with ease. The added slip feature allows for simple replacement of an existing regulator or allows installation in an existing line where there is little to no slack in the pipe system.

These valves are supplied by the factory with a standard delivery setting of 45 psi but the outlet pressure can be adjusted from 10-70 psi without changing the spring. The EB45-SDSB is intended for use where supply line pressure does not exceed 200 psi and is suited for either cold or hot (to 180°F) water service.

FEATURES AND BENEFITS

Modular cartridge design reduces the number of parts requiring service:
Quick and easy service and reparability.

Instant push-fit connections for increased ease of use:
No soldering, glue or tools required to make connection.

Utilizes a slip feature for easy installation:
Install quickly on existing copper and CTS CPVC pipe.

Rugged bronze body:
Superior reliability, improved user safety.

Compact pressure reducing valves:
Smaller installation footprint and economically priced.

Certified to ASSE Standard 1003, CSA Standard B356, and ASSE Standard 1061. Listed by IAPMO and certified lead free complying with NSF 372:
Inspector friendly for peace of mind.

Back-pass check mechanism integral with the cartridge:
Allows water to flow back through the regulator in the event that outlet pressure exceeds inlet pressure, as in the case of thermal expansion caused by water heating devices.

Every valve is tested for performance prior to shipping:
Specify and install with confidence.

Assembled and tested in the USA:
Prepared in our manufacturing plant in Cullman, Alabama.

SPECIFICATION

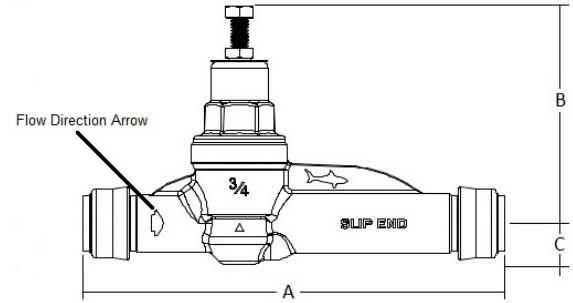
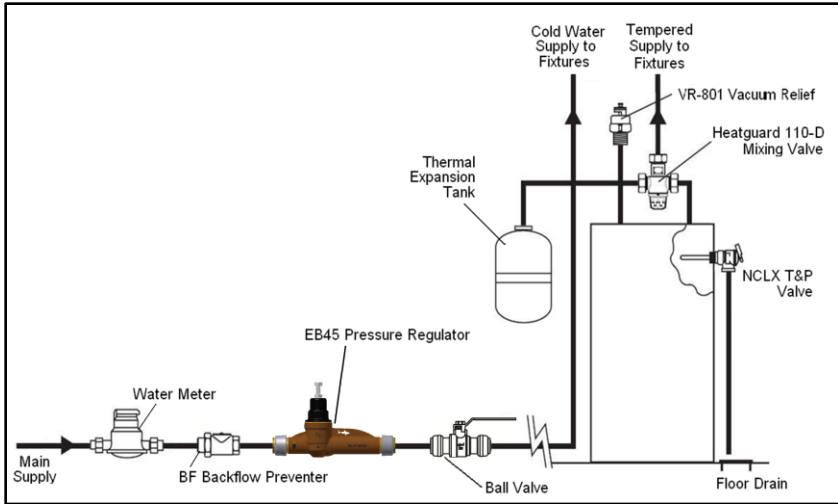
A pressure regulating valve shall be installed to reduce high supplies of incoming water pressure. The valve shall be approved in accordance with ASSE standard 1003, CSA standard B356 and IAPMO UPC. The valve shall have a bronze body, brass and stainless steel internals, an EP diaphragm, stainless steel strainer screen, an inbuilt back-pass check, and integral SharkBite push-to-connect ends with slip feature. The valve shall be used on copper and CTS CPVC pipe. The valve shall be a **Cash Acme EB-45 Direct SharkBite with Slip Feature**.



Patent Pending

EB-45 Direct SharkBite® with Slip Feature Pressure Regulating Valve

TYPICAL INSTALLATION



Valve Size	A	B	C
1/2"	6.80	4.37	0.75
3/4"	7.63	4.37	0.75

To install this valve, a section of pipe must be removed. The maximum length of pipe that can be removed to make a connection: 1/2" valve – 4.75" 3/4" valve – 5.25"

SPECIFICATION DATA

Performance:

Maximum pressure 200 psi
 Maximum temperature 180°F (93°C)
 Service Potable Water
 Outlet pressure range 10-70 psi

EB-45 Valve Materials:

Body Lead Free* Bronze
 Spring Chamber Reinforced Engineered Polymer or Iron
 Adjustable Spring Steel (zinc plated)
 Pressure Plate Steel (zinc plated)
 Diaphragm Reinforced EPDM
 Body Seat Polyphenylene Ether + PS
 Seat Disc EPDM
 Piston Lead Free* Brass
 Strainer Screen Stainless Steel
 O-Ring EPDM

SharkBite® Materials:

O-ring EPDM
 Grab ring Stainless steel
 Nose cone Stainless steel
 Tube support liner Polysulfone

WATER CAPACITY (gpm)

Pipe Size	P ₂ Variation (PSI)	Differential Pressure (P ₁ -P ₂) PSI			
		10	25	50	100+
1/2" & 3/4"	5	1.8	2.3	2.4	2.8
	10	4.8	5.3	6.0	8.9
	15	9.1	10.0	10.9	11.8
	20	14.3	15.8	16.5	16.6

CERTIFICATIONS

The EB45 Double SharkBite with Slip Feature Pressure Regulating Valve is certified to standards ASSE 1003 and CSA B356 and is listed by ASSE and IAPMO (cUPC). The SharkBite push-fit fittings have been design certified and listed to ASSE 1061/NSF 61, listed by IAPMO, and are certified for potable water distribution. The EB45 Double SharkBite with Slip Feature Pressure Regulating Valve is compliant with NSF 372.

*Surfaces that are in contact with consumable water contain less than 0.25% lead by weight.